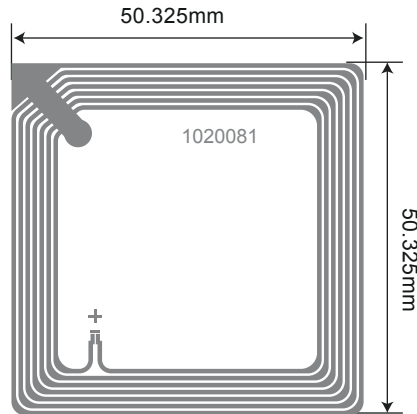




# Antenna 1020081 50.325\*50.325mm

Example of Dry Inlay/Product



### Antenna Design

Top: Aluminum 30  $\mu$ m

Substrate: PET 38  $\mu$ m

Bottom: Aluminum 10  $\mu$ m

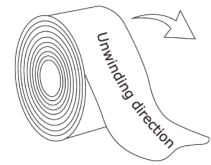
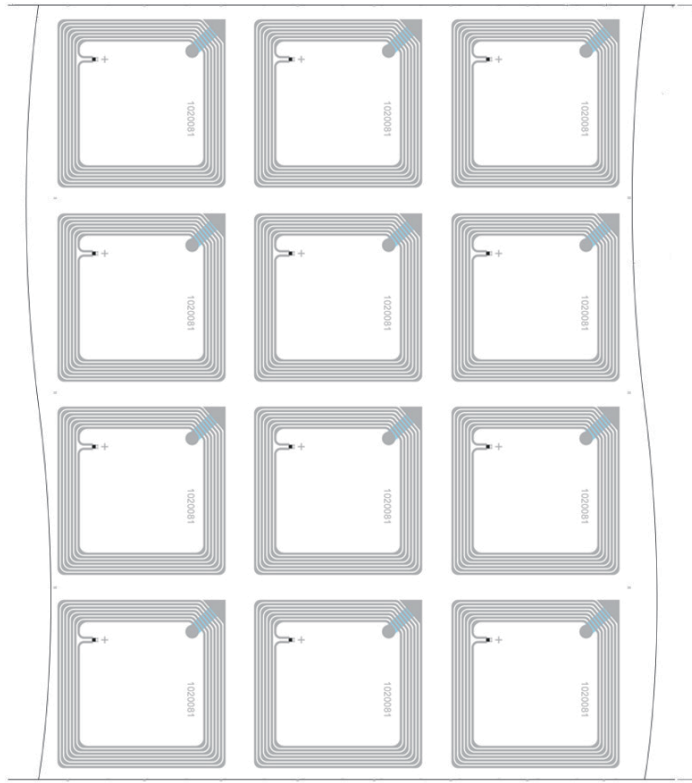
| Antenna No. | Pitch                 | Chip      |
|-------------|-----------------------|-----------|
| 1020081     | CD59 / MD59 (4 rolls) | SLIX/SLIS |
|             |                       |           |
|             |                       |           |
|             |                       |           |
|             |                       |           |
|             |                       |           |
|             |                       |           |
|             |                       |           |

## Unwinding Direction

Single-up

We can do any web width according to customer's requirements.

## Multiple-up



We can do any web width according to customer's requirements.