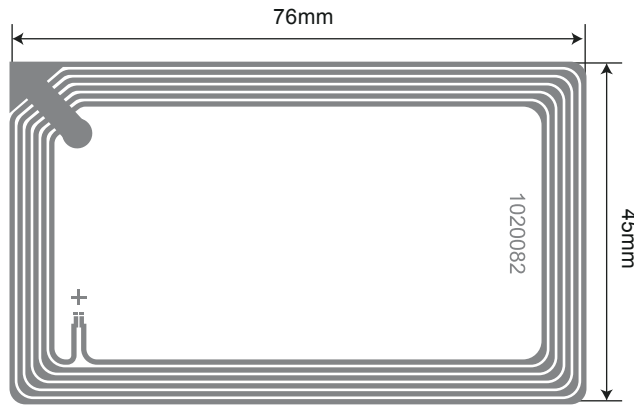


Antenna 1020082 76x45mm

Example of Label/Product



Antenna Design

Top: Aluminum/30 μm

Substrate: PET/38 μm

Bottom: Aluminum/10 μm

Die-cut Size	Antenna Position (on the web)	Chip	Form Factor
81x49mm	NEL	NXP CODE SLIX2/NXP CODE SLIX	Paper / PET / PP / Nylon / Satin / Hangtag

We can make more label size according to customer's requirements.

