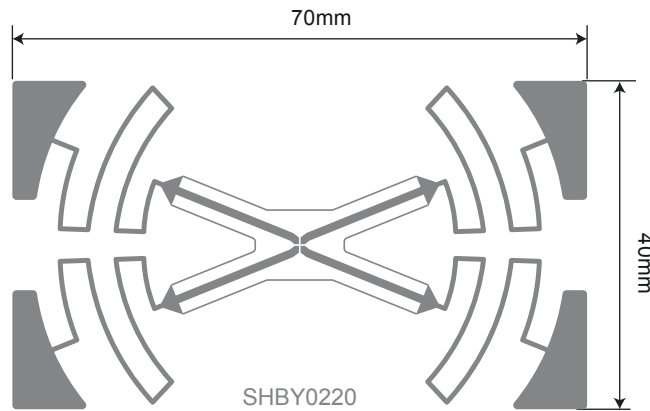


# Antenna 1020220 70x40mm

## Example of Label/Product

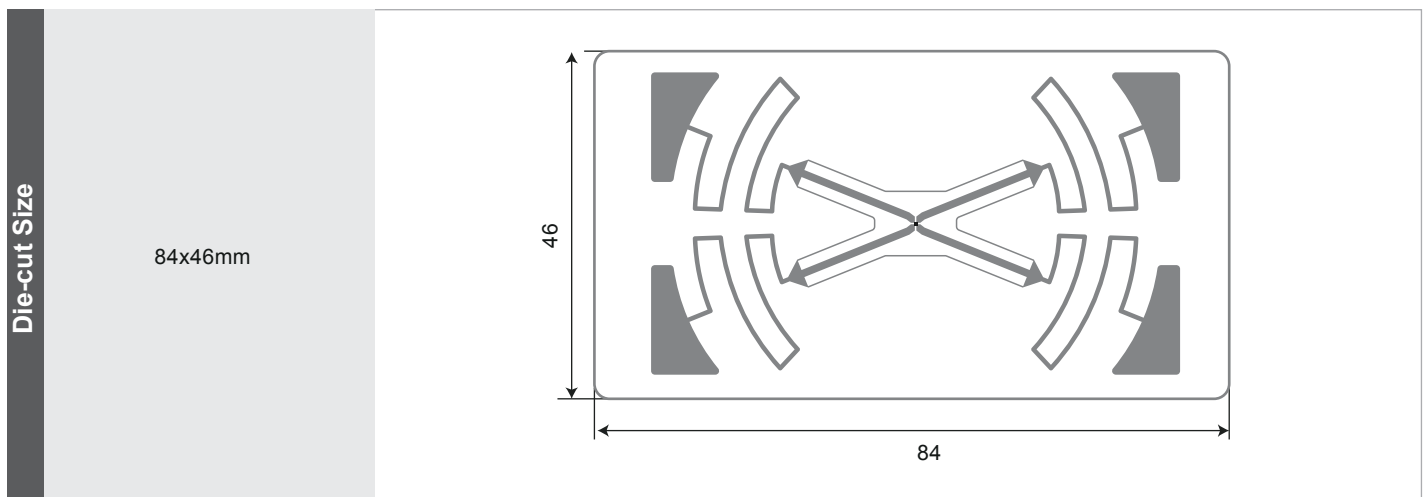
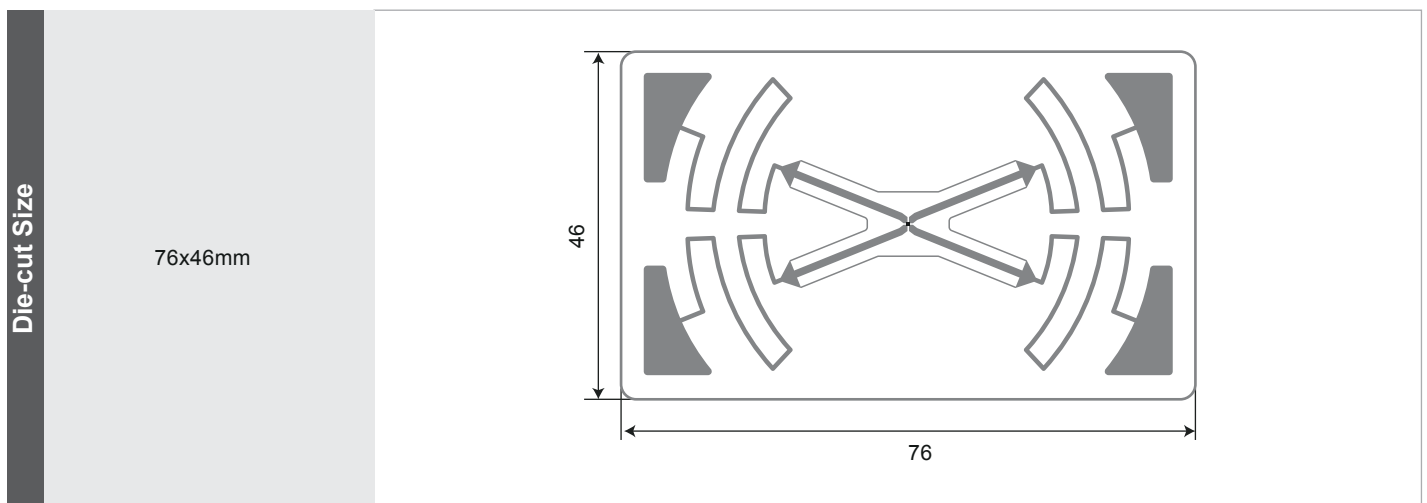


### Antenna Design

Top: Aluminum/10  $\mu\text{m}$   
Substrate: PET/50  $\mu\text{m}$

Die-cut Size	Antenna Position (on the web)	Chip	Form Factor
76x46mm	WEL/NEL	Impinj Monza 4D/Impinj Monza 4E/Impinj Monza 4QT	Paper / PET / PP / Nylon / Satin / Hangtag
84x46mm	WEL/NEL	Impinj Monza 4D/Impinj Monza 4E/Impinj Monza 4QT	
110x46mm	WEL/NEL	Impinj Monza 4D/Impinj Monza 4E/Impinj Monza 4QT	

We can make more label size according to customer's requirements.



Die-cut Size

110x46mm

