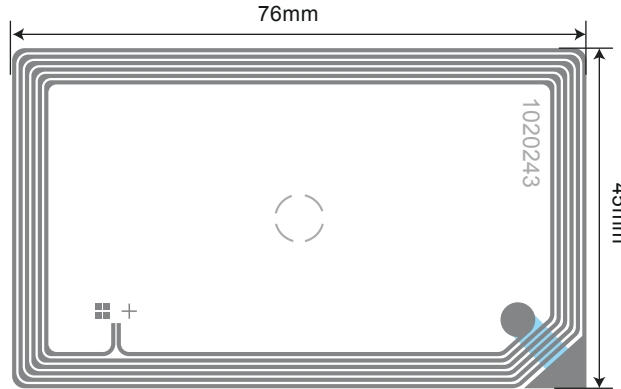




Antenna 1020243 76x45mm

Example of Dry Inlay/Product

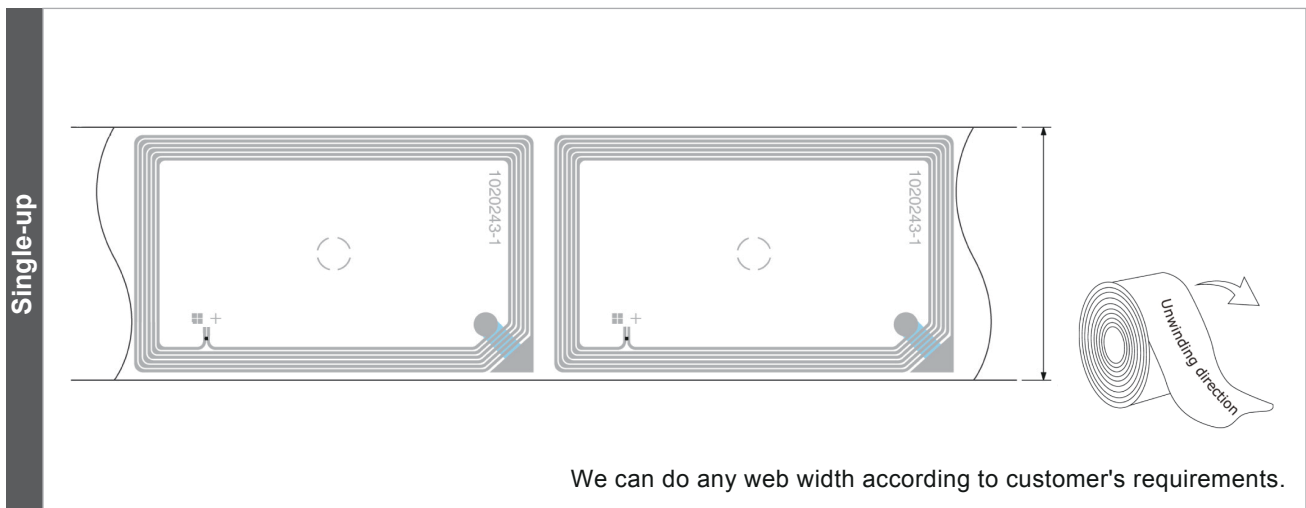


Antenna Design

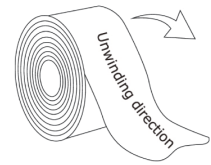
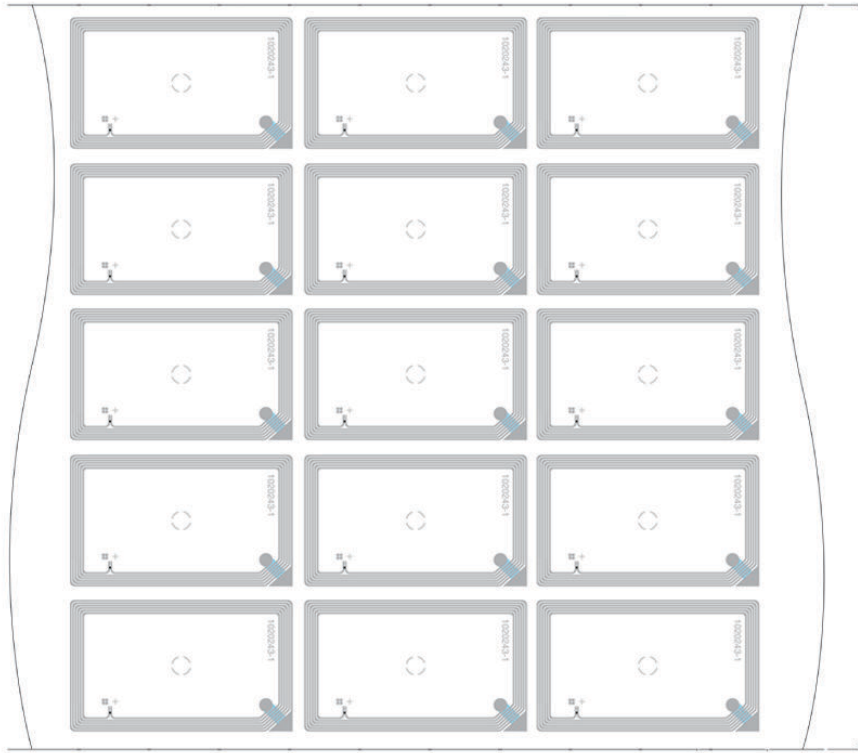
Top: Aluminum 30 μm
 Substrate: PET 38 μm
 Bottom: Aluminum 10 μm

Antenna No.	Pitch	Chip
1020243	CD48 / MD80 (5 rolls)	Mifare UL

Unwinding Direction



Multiple-up



We can do any web width according to customer's requirements.