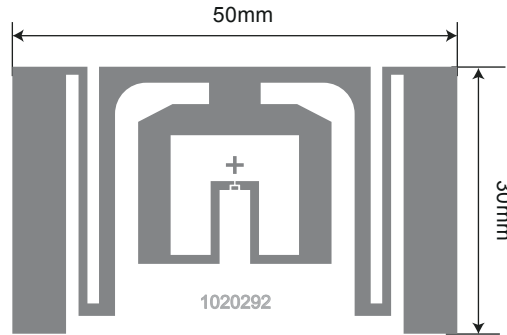


# Antenna 1020292 50x30mm

Example of Label/Product



### Antenna Design

Top: Aluminum/10  $\mu$ m  
Substrate: PET/50  $\mu$ m

Die-cut Size	Antenna Position (on the web)	Chip	Form Factor
54x34mm	WEL/NEL	NXP U CODE 7/NXP U CODE 8	Paper / PET / PP / Nylon / Satin / Hangtag

We can make more label size according to customer's requirements.

