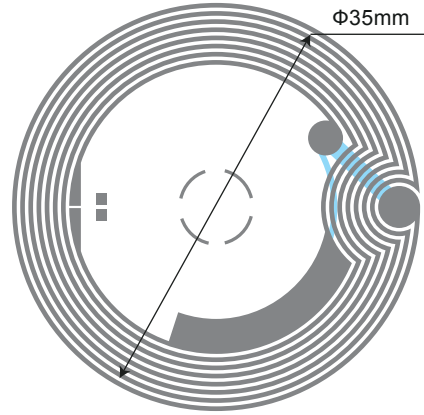


Antenna 1020308 Φ 35mm

Example of Label/Product



Antenna Design

Top: Aluminum/30 μ m

Substrate: PET/38 μ m

Bottom: Aluminum/10 μ m

Die-cut Size	Antenna Position (on the web)	Chip	Form Factor
Φ 40mm	WEL/NEL	EM4831	Paper / PET / PP / Nylon / Satin / Hangtag

We can make more label size according to customer's requirements.

