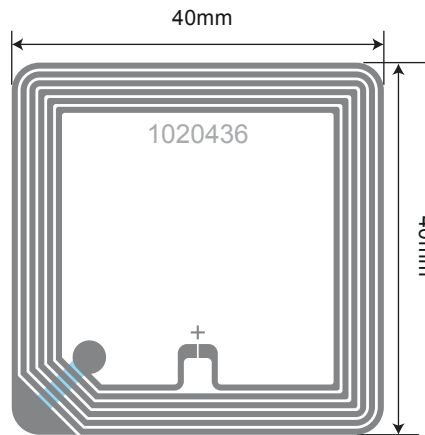


Antenna 1020436 40x40mm

Example of Label/Product



Antenna Design

Top: Aluminum/30 μ m
 Substrate: PET/38 μ m
 Bottom: Aluminum/10 μ m

Die-cut Size	Antenna Position (on the web)	Chip	Form Factor
45x45mm	WEL/NEL	NXP Ntag213/NXP Ntag210micro/NXP NXP Ntag215/Ntag216	Paper / PET / PP / Nylon / Satin / Hangtag

We can make more label size according to customer's requirements.

