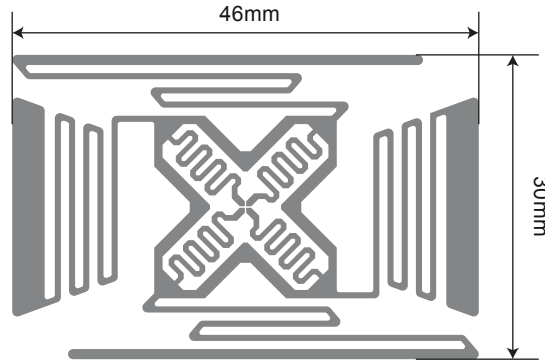


Antenna 1020881 46x30mm

Example of Label/Product



Antenna Design

Top: Aluminum/10 μm
Substrate: PET/50 μm

Die-cut Size	Antenna Position (on the web)	Chip	Form Factor
48x32mm	WEL	Impinj Monza 4D/Impinj Monza 4E/Impinj Monza 4QT	Paper / PET / PP / Nylon / Satin / Hangtag

We can make more label size according to customer's requirements.

