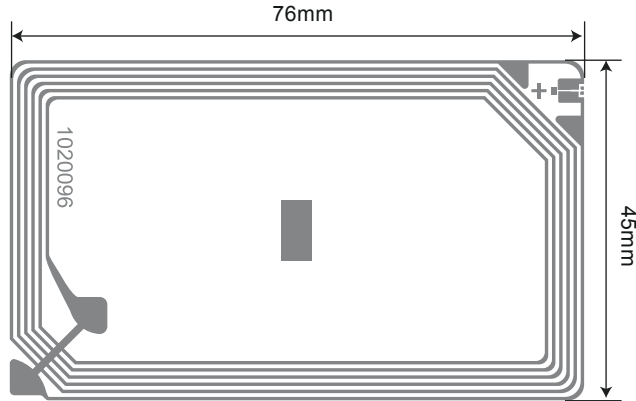




Antenna 1020096 76*45mm

Example of Dry Inlay/Product



Antenna Design

Top: Aluminum 30 μm
 Substrate: PET 38 μm
 Bottom: Aluminum 10 μm

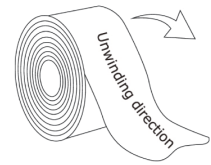
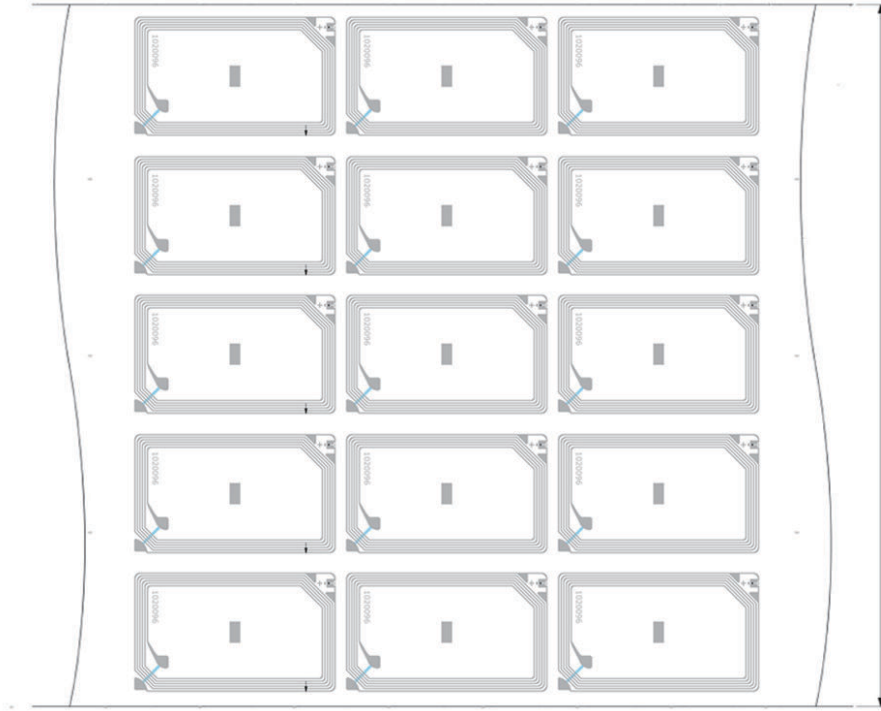
Antenna No.	Pitch	Chip
1020096	CD53 / MD84 (5 rolls)	SLIX2/SLIX

Unwinding Direction

Single-up

We can do any web width according to customer's requirements.

Multiple-up



We can do any web width according to customer's requirements.