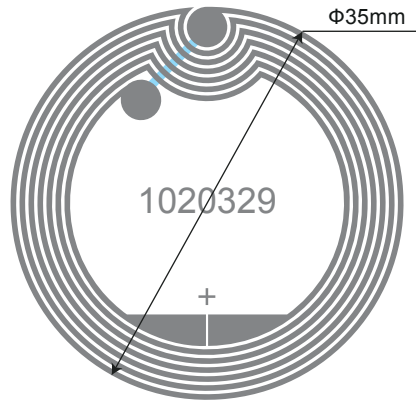


# Antenna 1020329 $\Phi$ 35mm

Example of Label/Product



### Antenna Design

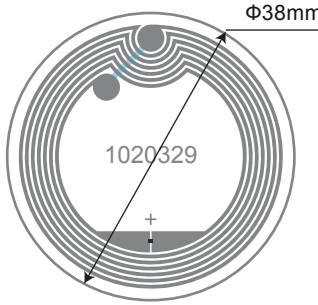
Top: Aluminum/30  $\mu$ m

Substrate: PET/38  $\mu$ m

Bottom: Aluminum/10  $\mu$ m

Die-cut Size	Antenna Position (on the web)	Chip	Form Factor
$\Phi$ 38mm	WEL/NEL	NXP Ntag213/NXP Ntag210micro/NXP NXP Ntag215/Ntag216	Paper / PET / PP / Nylon / Satin / Hangtag
$\Phi$ 40mm	WEL/NEL	NXP Ntag213/NXP Ntag210micro/NXP NXP Ntag215/Ntag216	

We can make more label size according to customer's requirements.

Die-cut Size	$\Phi$ 38mm	
Die-cut Size	$\Phi$ 40mm	