

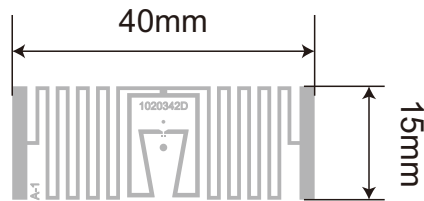


IC Specifications

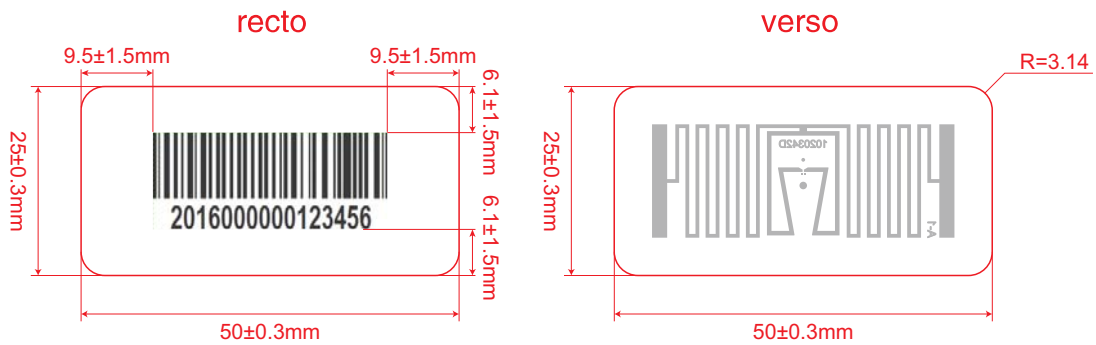
- IC Protocol: ISO/IEC 18000-6C
- ISO Typical Operating Frequency:860~960MHz
- Chip:U CODE 7
- Operating Temperature:-40°C/+85°C
- Storage Temperature:-55°C/+125°C

Antenna Design

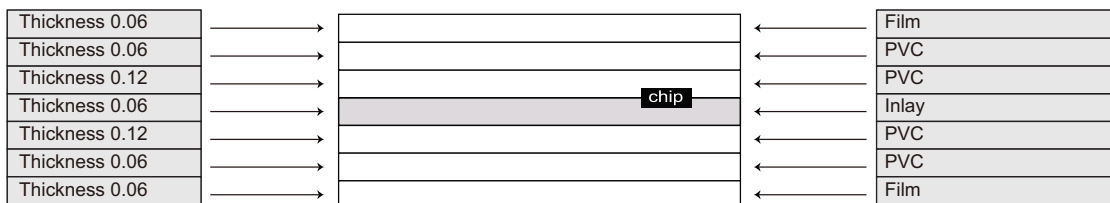
- Aluminum Etching/10 μm
- Substrate: PET/50 μm



Card Layout and Dimensions



Card Composition



Packaging

	350pcs/inner case 195*55*30mm(TBD)
	20 inner cases/master ctn 250*215*180mm(TBD)