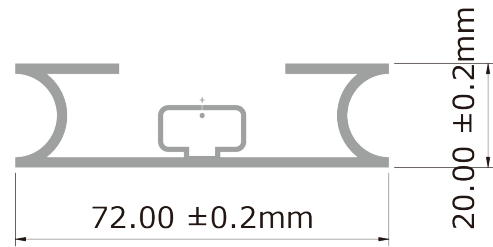


IC Specifications

- IC Protocol: ISO/IEC 18000-6C
- ISO Typical Operating Frequency: 840-960 MHz
- Chip: FM13UF0051E
- User Memory: 32bits
- Chip Part No.: /
- Operating Temperature: -40°C/+85°C
- Storage Temperature: -55°C/+125°C
- EPC Memory: 160bits

Antenna Design

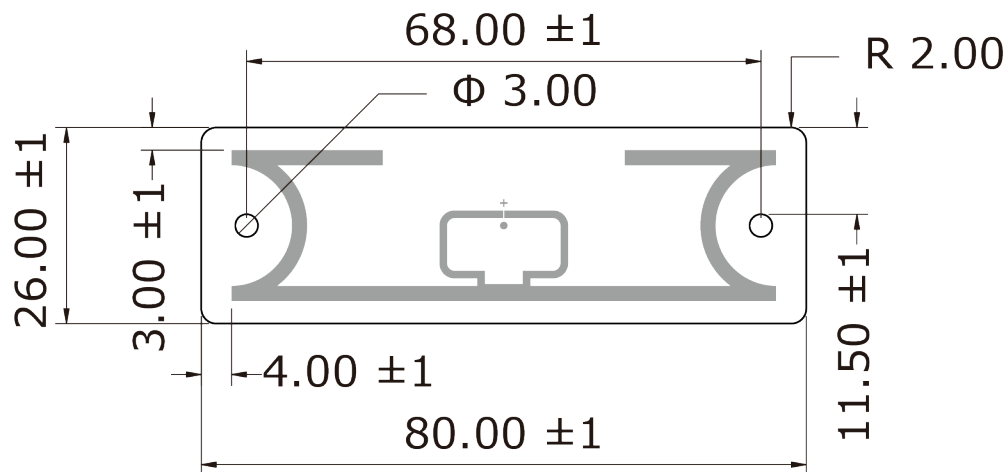
Top: Aluminum/10 μm
Substrate: PET/50 μm



Construction (Total thickness: 0.76 +/- 0.08mm)



Layout and Dimensions (mm)

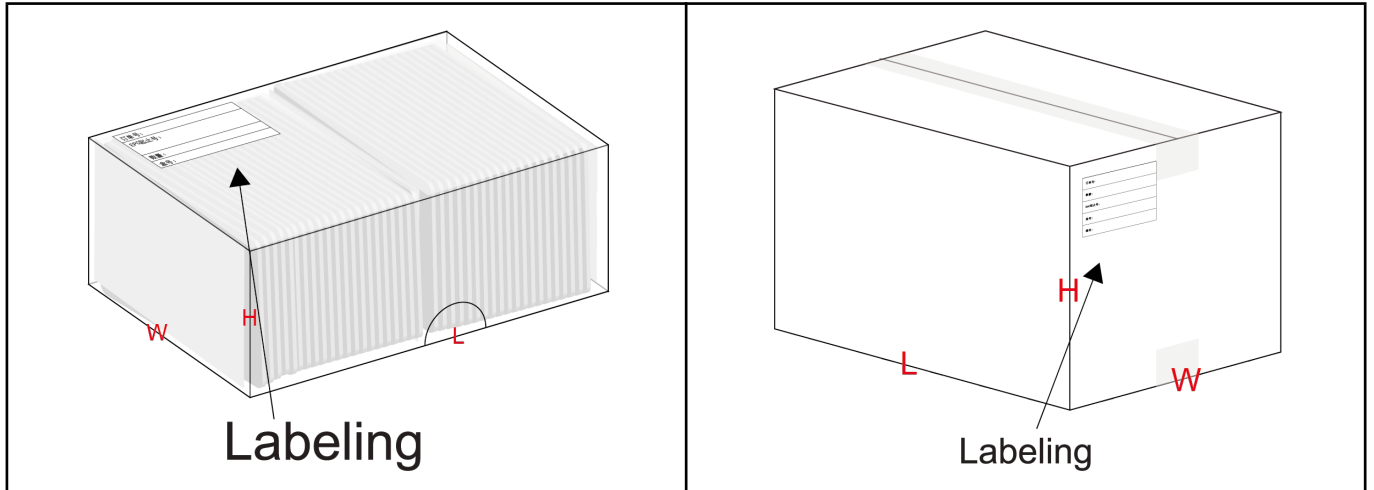


Package information

Size (TBD)

<p>- 500 pcs/inner case</p> <p>Length: 220 mm Width: 165 mm Height: 28 mm</p>	<p>- <u>10</u> inner /Master ctn</p> <p>Length: <u>245</u> mm Width : <u>185</u> mm Height: <u>320</u> mm</p>

Illustration



Labeling information

<table border="1" style="width: 100%;"> <tr><td>订单号:</td></tr> <tr><td>EPC起止号:</td></tr> <tr><td>数量:</td></tr> <tr><td>盒号:</td></tr> </table> <p>colour:white 1pcs/inner case size:70*30 mm</p>	订单号:	EPC起止号:	数量:	盒号:	<table border="1" style="width: 100%;"> <tr><td>订单号:</td></tr> <tr><td>数量:</td></tr> <tr><td>EPC起止号:</td></tr> <tr><td>盒号:</td></tr> <tr><td>箱号:</td></tr> </table> <p>colour:white 1pcs/master ctn size:100*80 mm</p>	订单号:	数量:	EPC起止号:	盒号:	箱号:
订单号:										
EPC起止号:										
数量:										
盒号:										
订单号:										
数量:										
EPC起止号:										
盒号:										
箱号:										

Others

--